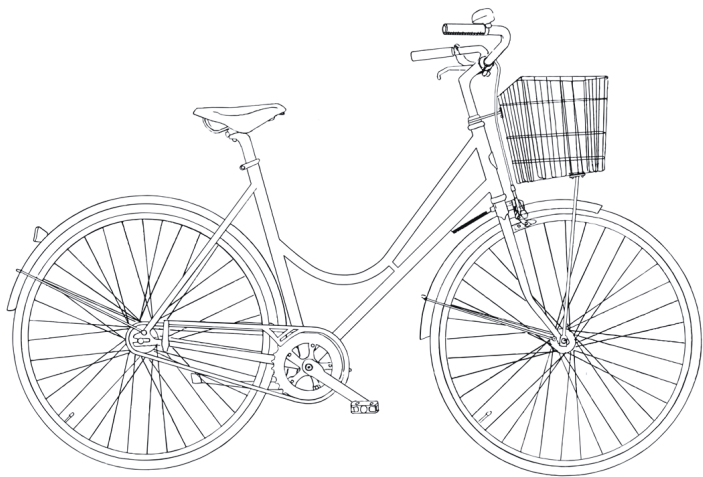
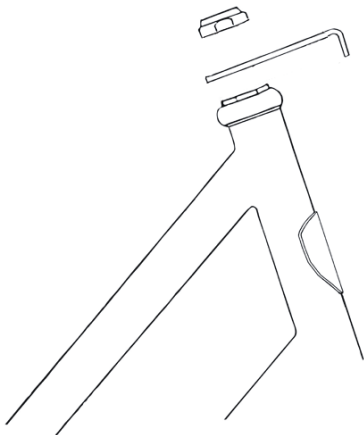


ASSEMBLY



STEP-THROUGH

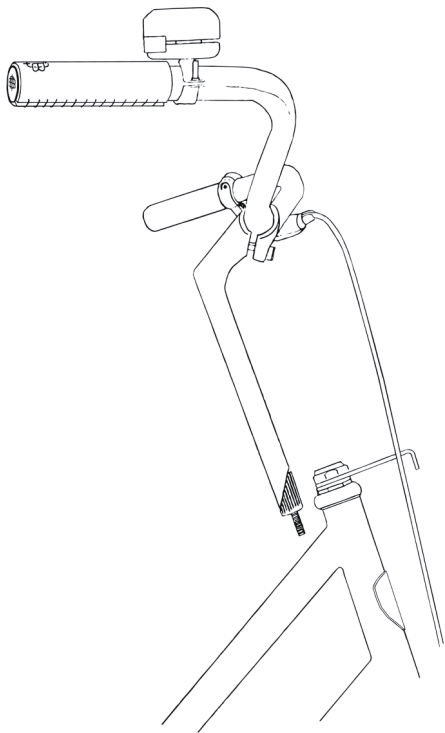
BASKET BRACKET



Unscrew the large, flat, nut pictured above. Remove the thin spacer (if present) and place your L-shaped bracket that comes with the basket as pictured. Fasten with the previously removed large, flat, nut.

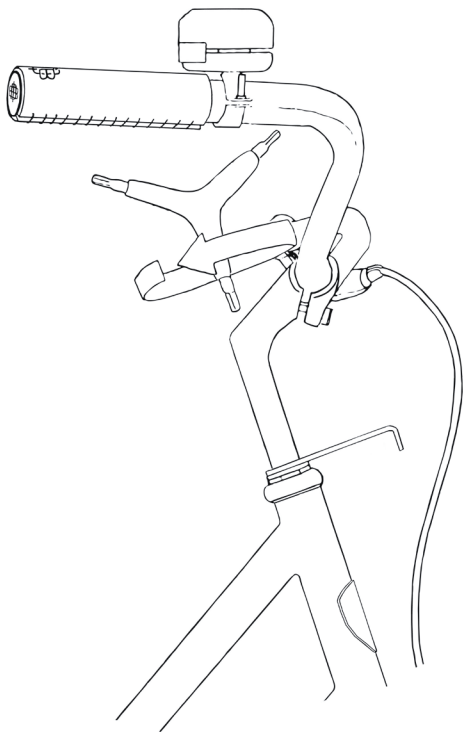
Be careful not to loosen the nut under the bracket as this holds the front fork in place.

STEM



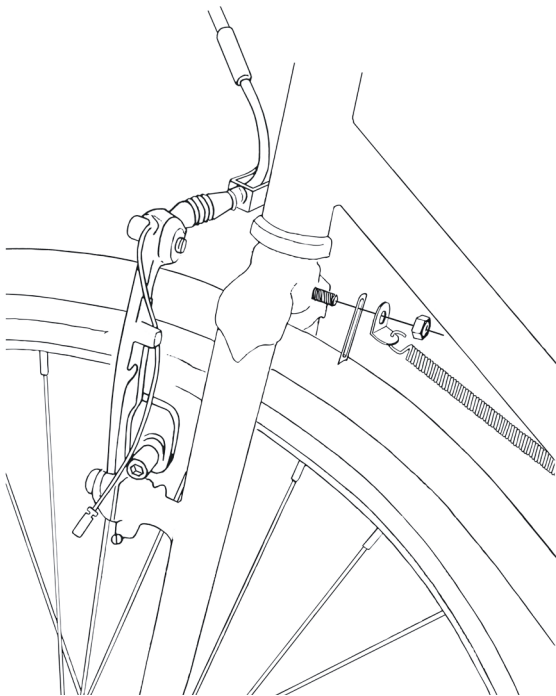
Put the stem in the frame and adjust to the desired height, but never higher than the maximum height indicated on the stem.

HANDLEBAR



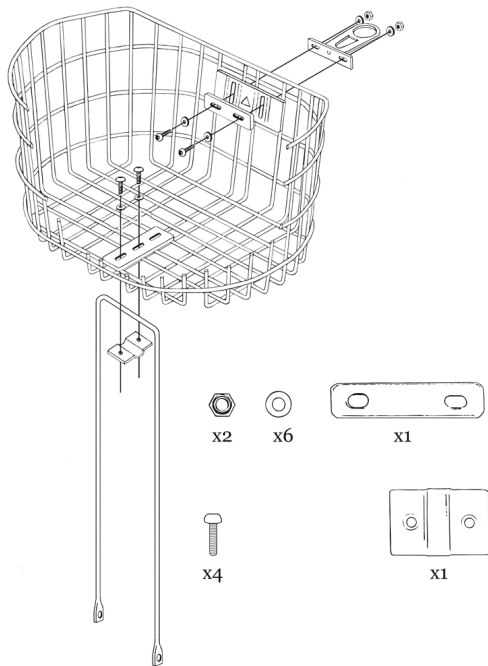
Fasten the stem by tightening the screw on the top with a 6mm allen key.

FRONT FENDER



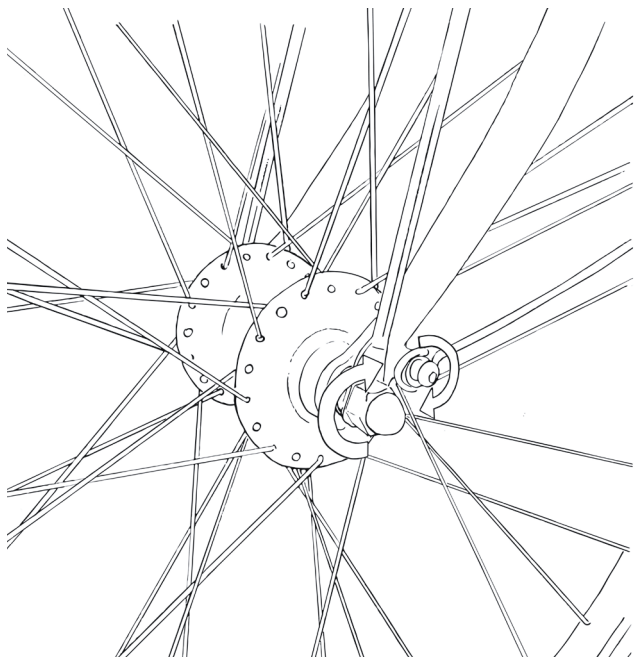
Unscrew the front wheel's two wheel nuts and place the front forks over the wheel's axle (the washers must be on the outside of the front fork). Attach the front fender as illustrated.

BASKET



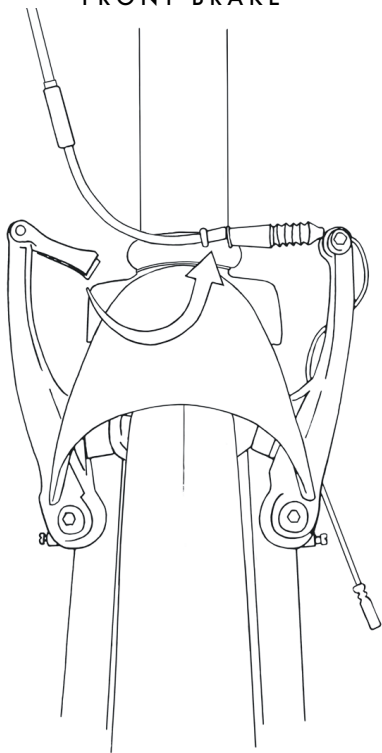
Assemble the basket as illustrated. Thread the lower stays on the wheel axle (outside washers) and put the wheel nuts in place. Before proceeding to the next step now check that the parts are assembled in the correct order: wheel - front fork - washer - stay - wheel nut.

FRONT WHEEL



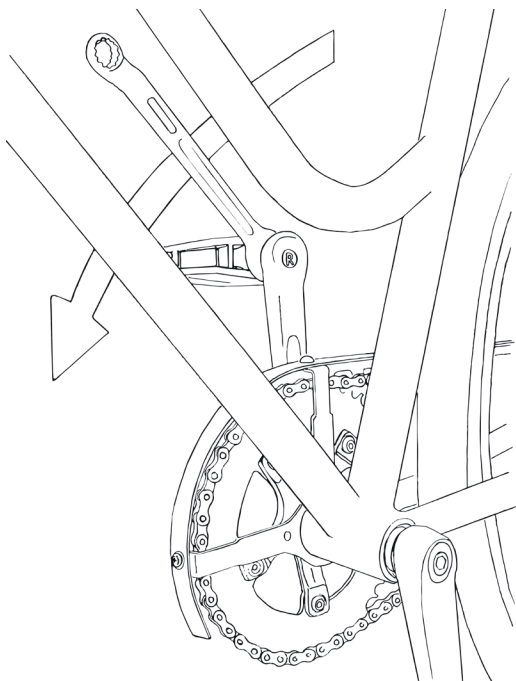
Tighten the wheel nuts clockwise - for both sides - with a 15mm spanner. Attach the fender's stays in the front fork as illustrated using the screws included. Tighten the screws clockwise - for both sides - with a 4mm allen key.

FRONT BRAKE



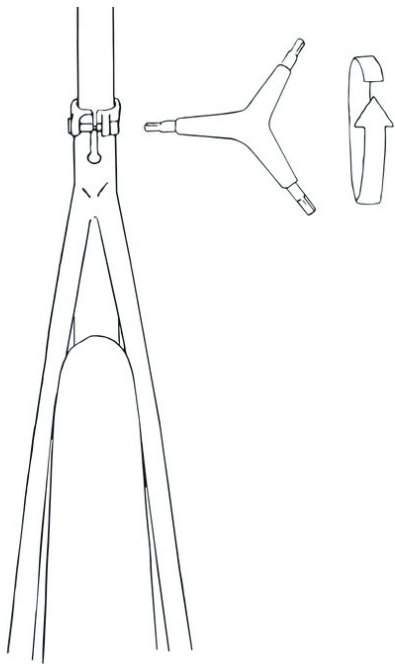
Close the brake by pinching the brake arches together and squeeze the end cap into the cable hook unit. Squeeze the brake lever a few times to ensure everything is in the right position and working properly.

PEDALS



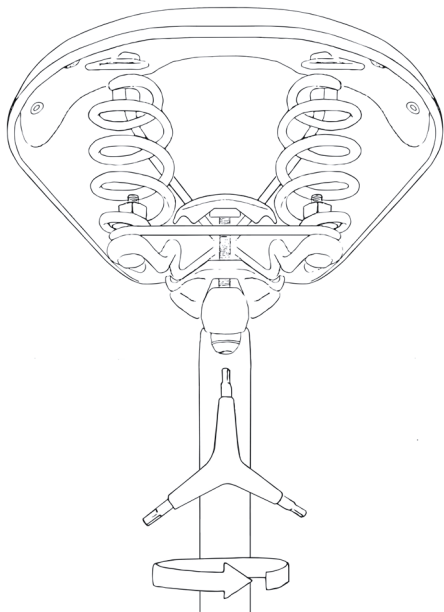
Assemble the pedals on the crank. The pedals are marked with R (right) or L (left). The right pedal is tightened clockwise, and the left counterclockwise, using a 15mm wrench.

SEATPOST



Put the seat post in the frame and adjust to the desired height. Fix the seatpost by tightening the right screw (rear view) clockwise with a 5mm allen key. The screw on the opposite side has a groove that locks the screw onto the frame.

SADDLE



Fit the saddle to the seat post, first loosen the screw on the bottom enabling you to turn the top plate 45 °. Assemble the saddle front to back and turn the top plate in place. When the seat is in position tighten the screw so the saddle rails are pressed into the grooves between the plates.

MAY YOUR FEET NEVER
TOUCH THE GROUND



BIKEID

EST. 2009

SWE